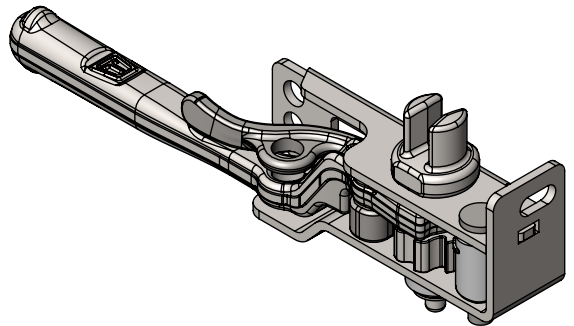



**PROPRIETARY AND CONFIDENTIAL**  
 THE INFORMATION CONTAINED IN THIS DRAWING IS THE SOLE PROPERTY OF THIRIET FILS S.A.S. ANY REPRODUCTION IN PART OR AS A WHOLE WITHOUT THE WRITTEN PERMISSION OF THIRIET FILS S.A.S IS PROHIBITED.



ELEMENTS NON COTES: SE REFERER AU MODELE 3D		N°CAO: TTB1270G		CASSER LES ARETES VIVES		A4	DO NOT SCALE DRAWING	IND A
TOLERANCE GENERALE: NOUS CONTACTER						 <b>THIRIET FILS</b>		
						<b>TTB1270G</b> <b>TENDEUR GAUCHE</b> <b>AXE FENDU</b>		
						THIRIET FILS S.A.S. – Rue François Urano – F – 08000 WARCQ Tél. : ( 33 ) 03.24.59.23.45 Fax : ( 33 ) 03.24.56.37.38		
				MATIERE: ACIER MASSE: 1529 g TRAITEMENT: Galvanisation		Echelle :1:2		PAGE 1 SUR 1