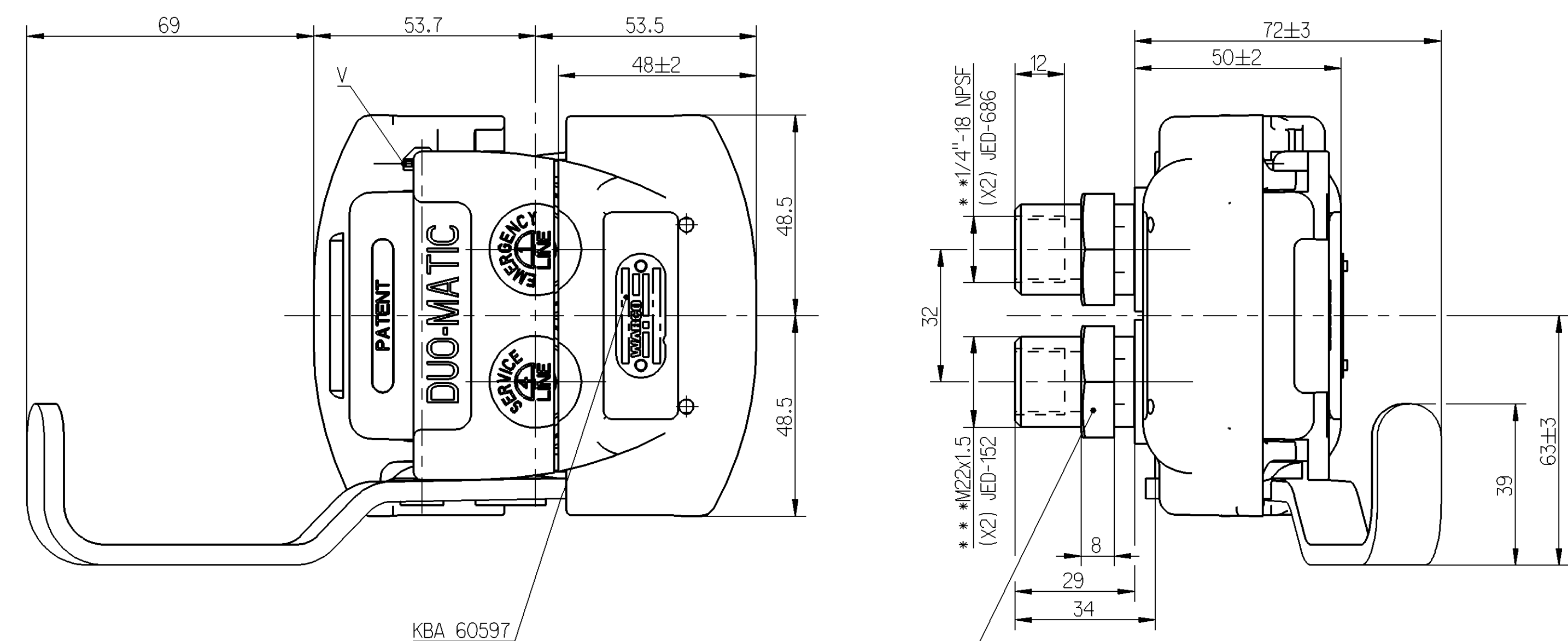
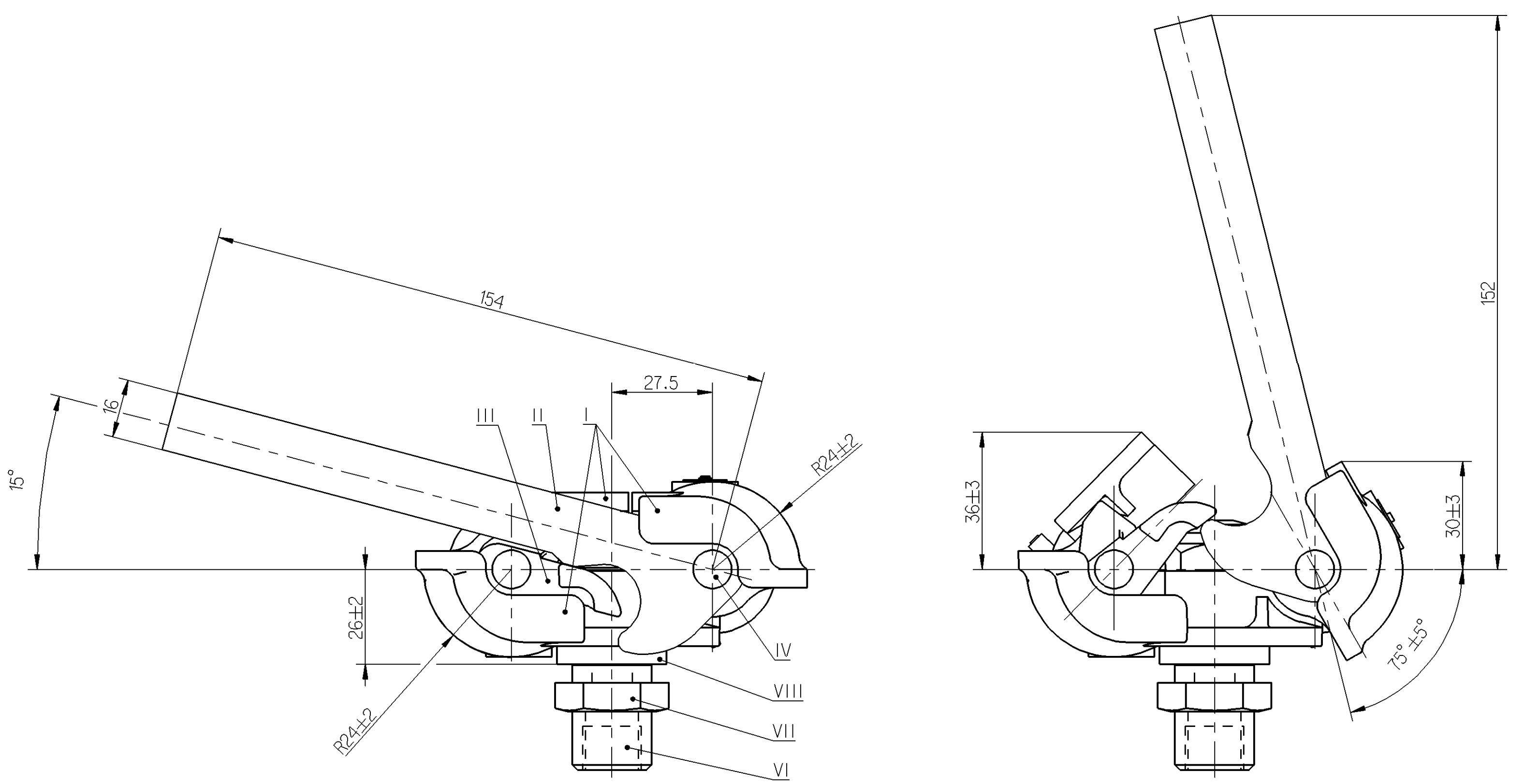
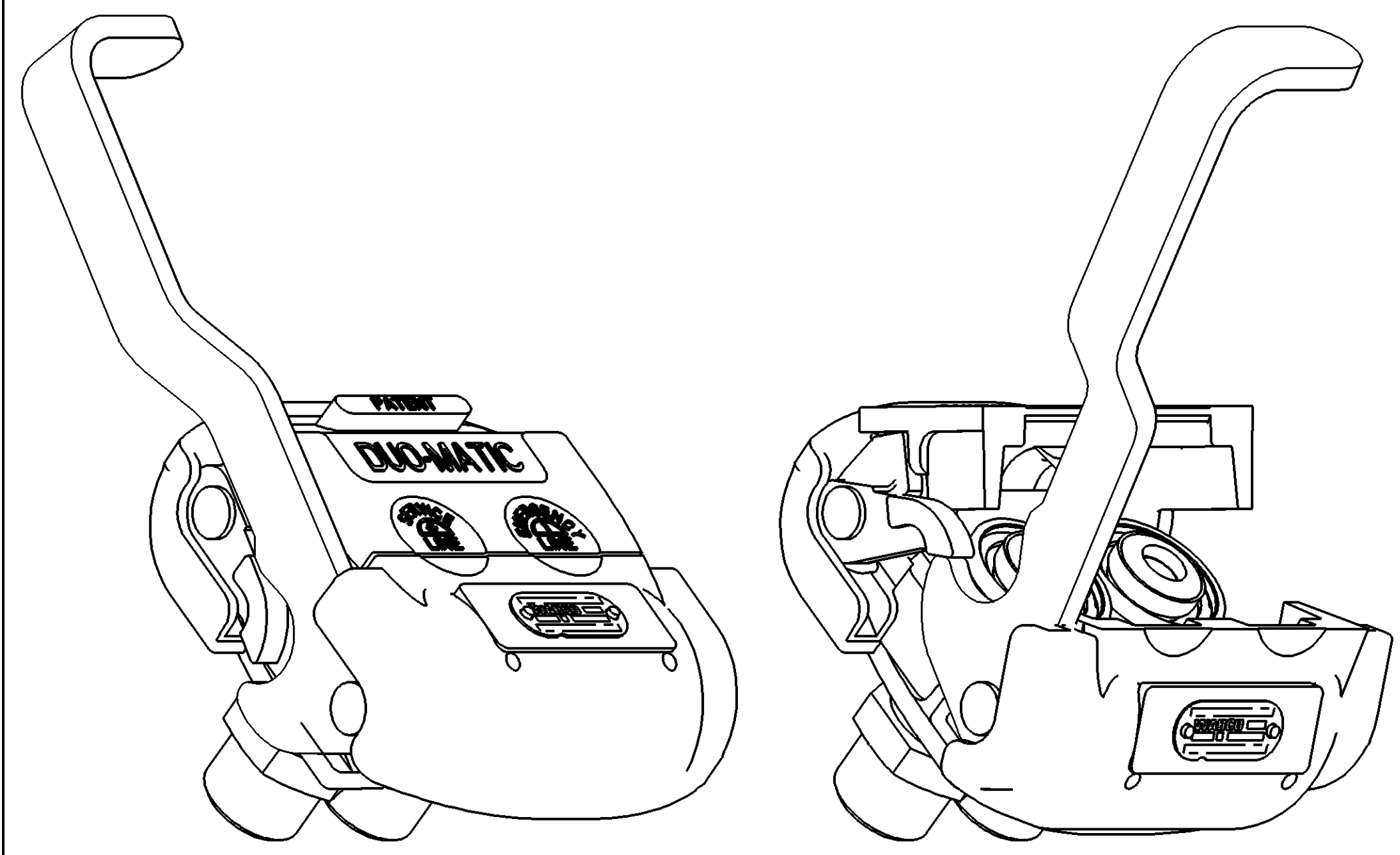
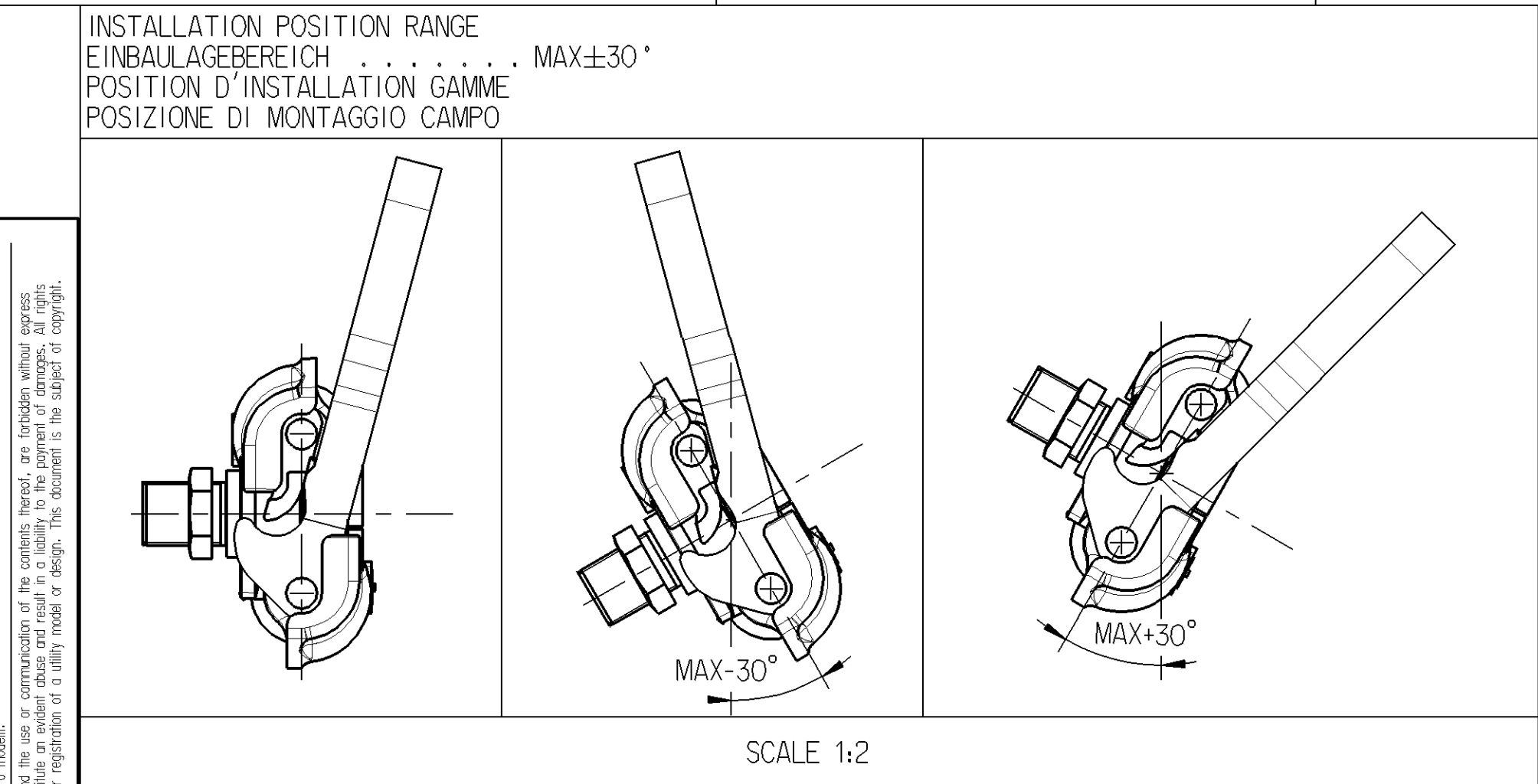


A	WORKING MEDIUM ARBEITSMEDIUM FLUIDE D'UTILISATION FLUIDO DI ESERCIZIO	AIR LUFT (JED-848) AIR ARIA	MATERIAL AND SURFACE PROTECTION
	SHORT TERM RESISTANCE TO HEAT KURZZEITIGE WAERMEBESTAENDIGKEIT RESISTANCE THERMIQUE TEMPORAIRE RESISTENZA TERMICA PER BREVE PERIODO	MAX. 1h AT 110°C	I Al JED-029M1 C JED-259 II Fe JED-060M1 Zn/Fe JED-256-1 III Fe JED-004M C JED-260 IV Fe JED-020-1 Zn/Fe JED-256-1 V Fe JED-050MO --- VI Fe JED-020-1 Zn/Fe JED-256-1 VII Fe 14H Zn/Al JED-378-4 © VIII Fe JED-020-1 Zn/Fe JED-256-1
	THERMAL RANGE OF APPLICATION THERMISCHER ANWENDUNGSBEREICH GAMME D'APPLICATION THERMIQUE CAMPO DI APLICAZIONE TERMICA	-40°C...+80°C	
B	WORKING PRESSURE (SUPPLY) BETRIEBSDRUCK (VORRAT) PRESSION DE SERVICE (ALIMENTATION) PRESSIONE DI ESERCIZIO (ALIMENTAZIONE)	10 BAR	
	TORQUE ANZUGSMOMENT *(SW27) COUPLE DE SERRAGE COPPIA DI SERRAGGIO	45±5 Nm	
	TORQUE ANZUGSMOMENT **(NPSF) COUPLE DE SERRAGE COPPIA DI SERRAGGIO	SEE JED-686	
C	TORQUE ANZUGSMOMENT *** (M22X1.5) COUPLE DE SERRAGE COPPIA DI SERRAGGIO	max.70Nm (EXCEPT SW27)	
	SERVICE CONDITION BETRIEBSART CONDITION DE SERVICE CONDIZIONE DI SERVIZIO	CONTINUOUS SERVICE DAUERBETRIEB SERVICE CONTINU SERVIZIO CONTINUO	
	MAINTENANCE REQUIREMENTS WARTUNGSANFORDERUNGEN ENTRETIEN MANUTENZIONE	NONE KEINE NON NON	
D	PORT FOR EMERGENCY ANSCHLUSS FUER VORRATSLEITUNG ORIFICE POUR LIGNE D'URGENCE ORIFIZIO PER LINEA D'EMERGENZA	1	
	PORT FOR SERVICE LINE ANSCHLUSS FUER BREMSLEITUNG ORIFICE POUR SERVICE LIGNE ORIFIZIO PER SERVIZIO LINEA	4	



KBA 60597

\* WIDTH ACROSS FLATS  
© SCHLUESSELWEITE . . . . SW27  
SURPLATS  
LARGHEZZA IN CHIAVE



Non è permesso copiare o tradurre in altri linguaggi questo documento, né utilizzare il contenuto o i dati contenuti in esso, senza permesso scritto dalla WABCO. Toute réimpression ou reproduction de ce document, toute exploitation ou communication de son contenu sont interdites, sauf autorisation écrite de la WABCO. No es permitido copiar o traducir a otros idiomas este documento, ni utilizar el contenido o los datos contenidos en él, sin el consentimiento escrito de WABCO. Nie wolno kopiować ani przekazywać do publicznej wiadomości tego dokumentu, ani wykorzystywać jego treści bez zgody WABCO.

General Specifications: JED-334-0		Copyright WABCO®		<b>WABCO</b>	
Further Technical Data:		Date	Signature	QUICK COUPLING SCHNELLKUPPLUNG RACCORD RAPIDE ACCOPIAMENTO RAPIDO	
Doc. Code	Sheet	2011-12-02	Balogh	Doc.Code	Language
General Tolerances JED-261		2011-12-16	Hlodik	005	ML
Range of Nominal Dimensions ( ± mm)		Expert		Date of first issue	
Class	1)	≤ 50	> 50 ≤ 180	> 180 ≤ 400	> 400
Fine		0.5	1.0	1.5	2.0
Medium	X	1.0	2.0	3.0	4.0
Coarse		2.0	3.5	5.0	6.5
Tapped Holes acc. ISO 4039 / JED-152		Scale		Material No.	
1) Tolerance Class Applied Crossmarked		1:1		452 802 000 0	
A 1		Pro/E		005 ML 1/1	
		Ech.No.		Revision	
		155975		2 C	
				5711	
				Replacement for	

Dwg.: 452802000\_140